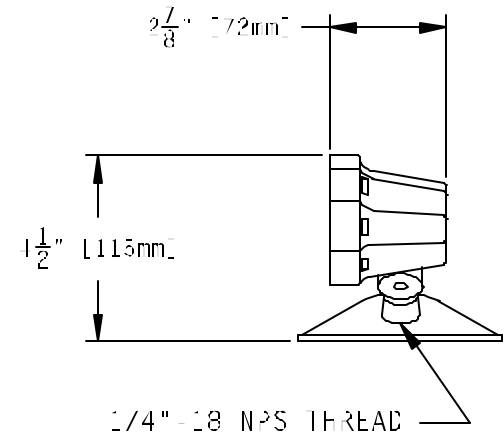
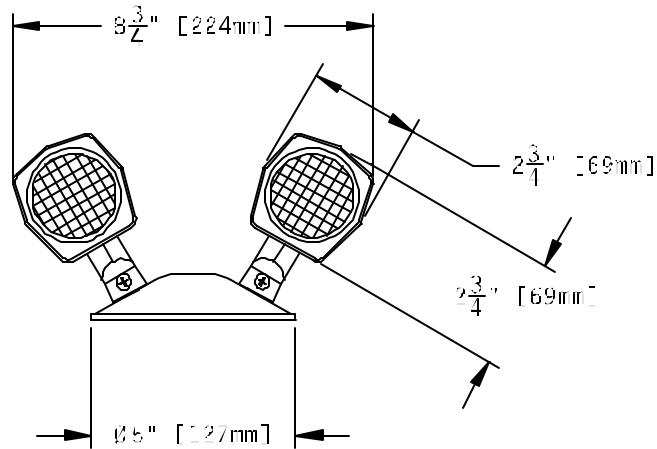




5 Wisconsin Ave.  
Norwich, CT 06360  
Tel. (860) 887-4550  
Fax (860) 887-4534  
www.lamphead.com (Product)  
www.nutron-mfg.com (Company)

# 2752 Series Par 18 Non-Metallic Lamphead



**Flame Retardant Thermoplastic**  
**Colors - Cream, White, Gray & Black**  
**Lamping:**

- 6, 12v Wedge Base Tungsten
- 6, 12v Bi Pin Halogen

**Non-Metallic Canopy available in various configurations**